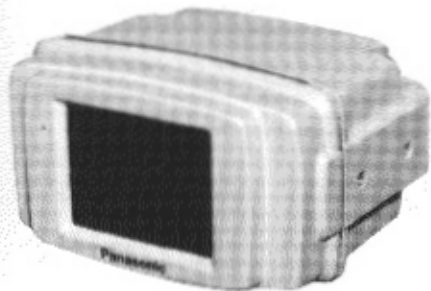


Rear View Camera  
GP-RV201AFL

# Operating Instructions



**Panasonic®**

Before attempting to connect or operate this product,  
please read these instructions completely.

**CAUTION**RISK OF ELECTRIC SHOCK  
DO NOT OPEN

**CAUTION:**  
TO REDUCE THE RISK OF ELECTRIC SHOCK, DO NOT REMOVE COVER (OR BACK). NO USER SERVICEABLE PARTS INSIDE.  
REFER SERVICING TO QUALIFIED SERVICE PERSONNEL.



SA 1965

The lightning flash with arrowhead symbol, within an equilateral triangle, is intended to alert the user to the presence of uninsulated "dangerous voltage" within the product's enclosure that may be of sufficient magnitude to constitute a risk of electric shock to persons.



SA 1966

The exclamation point within an equilateral triangle is intended to alert the user to the presence of important operating and maintenance (servicing) instructions in the literature accompanying the appliance.

— For U.S.A. —

**Warning:**

This equipment generates and uses radio frequency energy and if not installed and used properly, i.e., in strict accordance with the instruction manual, may cause harmful interference to radio communications. It has been tested and found to comply with the limits for a Class A computing device pursuant to Subpart J of Part 15 of FCC Rules, which are designed to provide reasonable protection against such interference when operated in a commercial environment.

The serial number of this product may be found on the bottom of the unit.

You should note the serial number of this unit in the space provided and retain this book as a permanent record of your purchase to aid identification in the event of theft.

Model No. \_\_\_\_\_

Serial No. \_\_\_\_\_

**WARNING:**

TO PREVENT FIRE OR SHOCK HAZARD, DO NOT EXPOSE THIS APPLIANCE TO RAIN OR MOISTURE.

# CONTENTS

PREFACE .....	2
FEATURES .....	2
PRECAUTIONS .....	3
MAJOR OPERATING CONTROLS AND THEIR FUNCTIONS .....	4
VIEW RANGE .....	6
SYSTEM CONNECTION .....	7
TECHNICAL DATA .....	8
SPECIFICATIONS .....	9
OPTIONAL ACCESSORIES .....	10

## PREFACE

Panasonic's Rear View Camera, GP-RV201AFL, significantly reduces dangerous blind spots.

This rear view camera has been developed exclusively for large trucks, buses and other commercial vehicle.

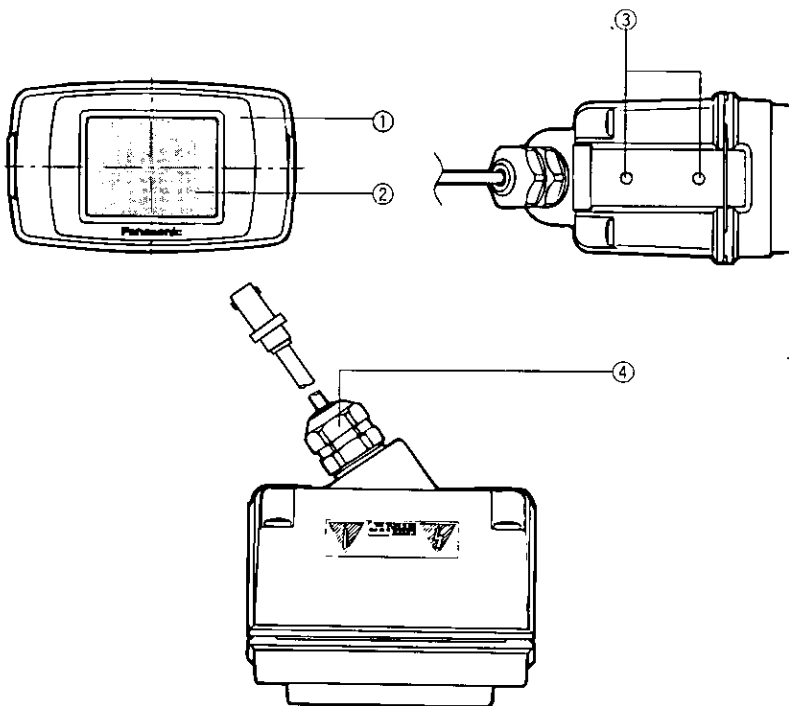
## FEATURES

1. 1/3" Interline Transfer CCD Image Sensor with 512 (H) x 492 (V) pixels.
2. 380 lines of horizontal resolution.
3. 0.25 lx of minimum illumination at F2.4.
4. Electronic Light Control (ELC) is available. (Up to 1/80,000 sec.)
5. 46 dB of signal to noise ratio.
6. Wide field of view by newly developed wide angle lens  $f=2.2\text{mm}$ , F2.4
7. High resistance to shocks and vibration.
8. Single coaxial cable connection enables easy installation.

## PRECAUTIONS

1. Do not attempt to disassemble the camera.  
To prevent electric shock, do not remove screws or cover.  
There are no user-serviceable parts inside.  
Refer servicing to qualified service personnel.
2. Handle the camera with care.  
Do not abuse the camera. Avoid striking or shaking it.  
The camera could be damaged by improper handling or storage.
3. Keep the face of the camera lens glass clean.  
Whenever cleaning the camera body, clean the lens glass of the camera by using a soft dry cloth. In case the dirt is hard to wipe off, use a mild detergent and wipe gently.
4. Pay attention to obstacles located at the same height as the rear view camera since they are out of view of the rear view camera.
5. Do not operate the camera beyond its temperature range.  
Do not use the camera in an extreme environment where temperature or high humidity exist. Use the camera under conditions where temperatures are within  $-30^{\circ}\text{C}$  -  $+60^{\circ}\text{C}$  ( $-22^{\circ}\text{F}$  -  $140^{\circ}\text{F}$ ).
6. Do not expose the Camera Cable Connector (BNC). It may give the damage to this camera permanently.

## MAJOR OPERATING CONTROLS AND THEIR FUNCTIONS



#### 1. Camera Unit

The 1/3" CCD B/W camera is inside.

##### Caution :

Even though the camera unit is installed in the water-proof housing, do not spray a water jet directly at the camera unit for cleaning purposes.

#### 2. Lens

Fix iris wide angle lens (F2.4) is installed.  
The focal length is 2.2mm.

##### Note :

Keep the lens glass always clean.

#### 3. Camera Angle Adjusting Screws

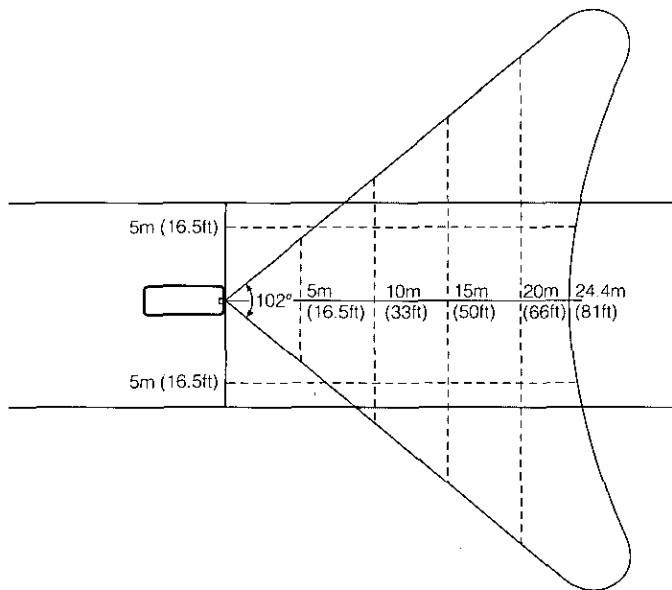
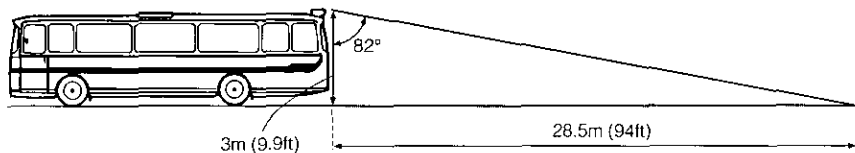
These 4 screws are used to secure the camera unit.

#### 4. Camera Cable Connector

##### Cautions

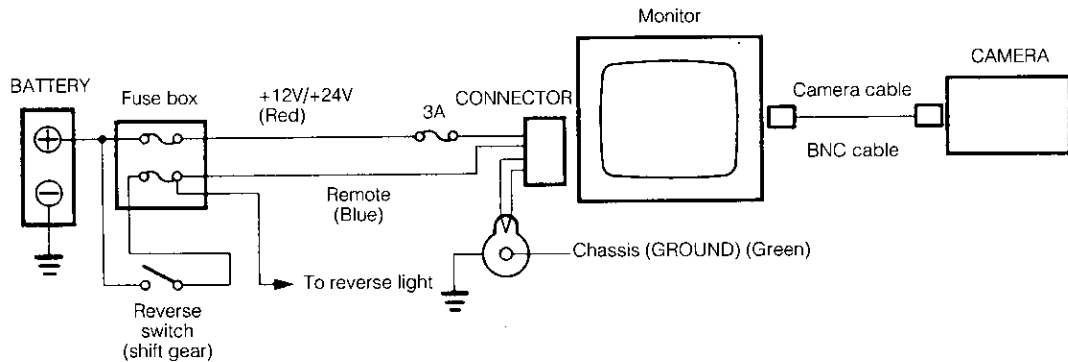
- Be sure to put this connector inside the vehicle that can avoid the water.
- Whenever disconnecting the camera cable from this connector for maintenance, turn the vehicle's ignition switch to the LOCK position to turn off the power.

## VIEW RANGE

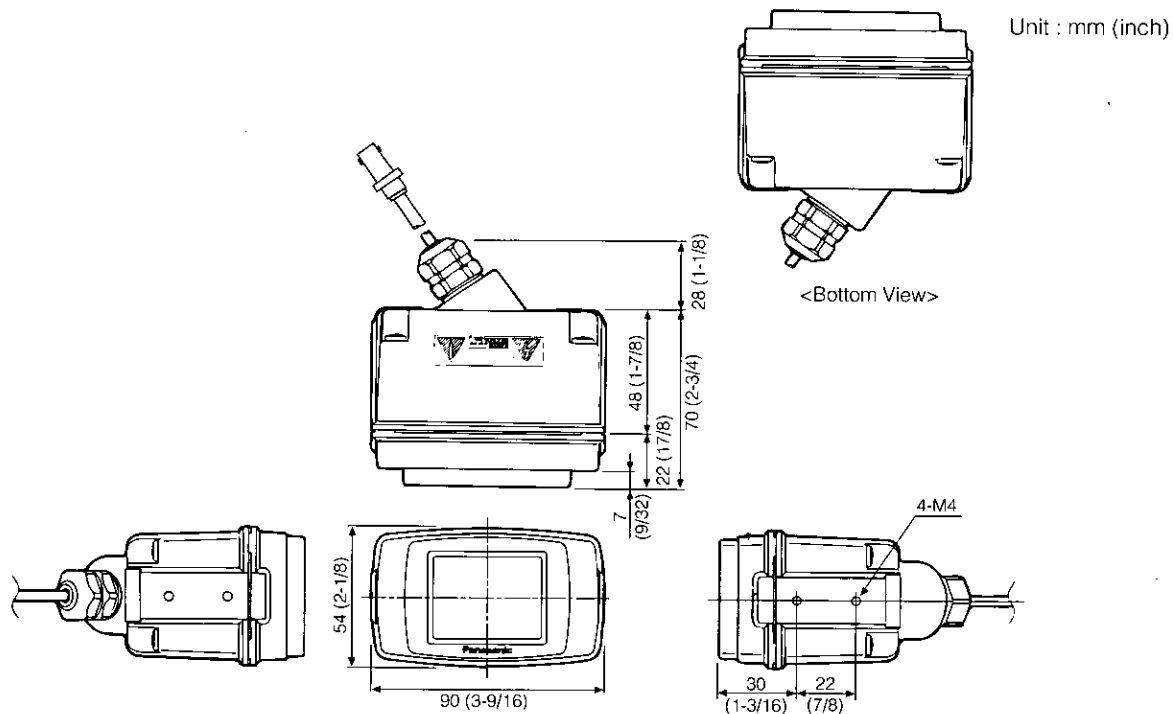




## SYSTEM CONNECTION



# TECHNICAL DATA



## SPECIFICATIONS

Power Source :	Supplied from specified monitor GP-RV202/GP-RV112, – approx. 12V DC, 200 mA
Pick-up Device :	1/3" Interline Transfer CCD with 512 (H) x 492 (V) pixels
Scanning System :	2:1 Interlace
Scanning :	525 lines/60 fields/30 frames Horizontal: 15.734 kHz, Vertical: 59.94 Hz
Synchronization :	Internal
Horizontal Resolution :	380 lines
Video Output :	1.0V[p-p], 75Ω
Signal to Noise Ratio :	46 dB
Minimum Illumination :	0.25 lx at F2.4, AGC ON
ELC :	1/60 - 1/80,000 s
Lens :	F2.4, f=2.2 mm, Fix lens
Angular Field of View :	102° (H) x 82° (V)
Vibration Resistance (only passenger car):	4.4G (10 Hz - 100 Hz)
Ambient Operating Temperature :	-30°C - +60°C (-22°F - 140°F)
Dimensions :	90 (W) x 54 (H) x 70 (D) mm 3-9/16" (W) x 2-1/8" (H) x 2-3/4" (D)
Weight :	365 g (0.8 lbs.)

Weight and Dimensions indicated are approximate.  
Specifications are subject to change without notice.

## OPTIONAL ACCESSORIES

Monitor GP-RV202

Driver's Monitor GP-RV112

# Panasonic

**Broadcast & Television Systems Company**

**Division of Matsushita Electric Corporation of America**

### **INDUSTRIAL CAMERA DIVISION**

**Executive Office:** One Panasonic Way, 4H-2, Secaucus, New Jersey 07094 (201) 392-6674

**MATSUSHITA ELECTRIC OF CANADA LIMITED**

5770 Ambler Drive, Mississauga, Ontario, Canada L4W 2T3 (905) 624-5010

**PANASONIC SALES COMPANY**

**DIVISION OF MATSUSHITA ELECTRIC OF PUERTO RICO, INC.**

San Gabriel Industrial Park, 65th Infantry, Ave. KM. 9.5 Carolina, Puerto Rico 00630 (809) 750-4300